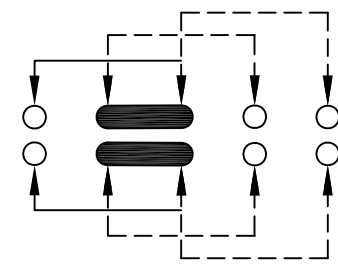
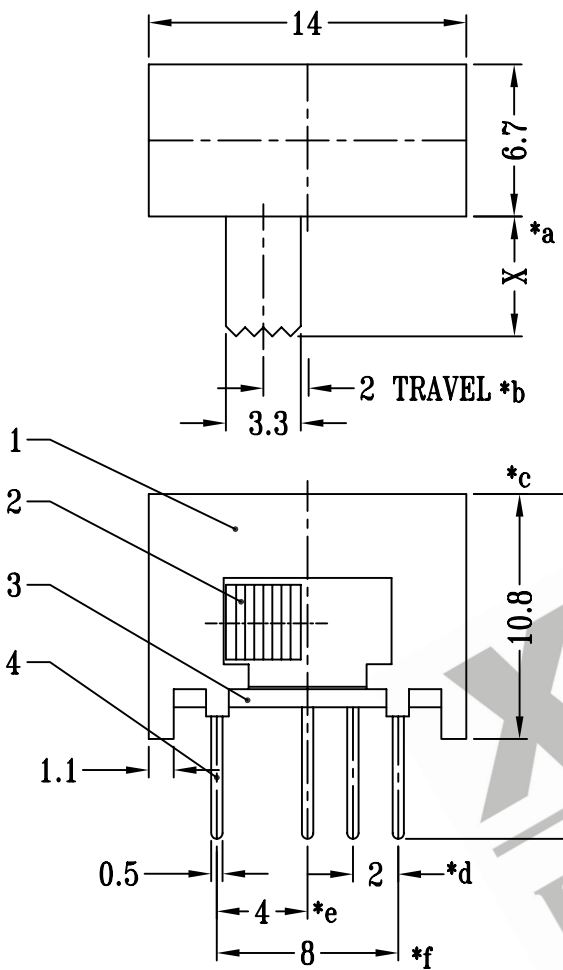
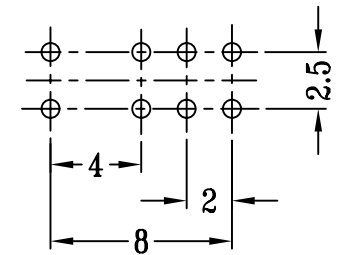
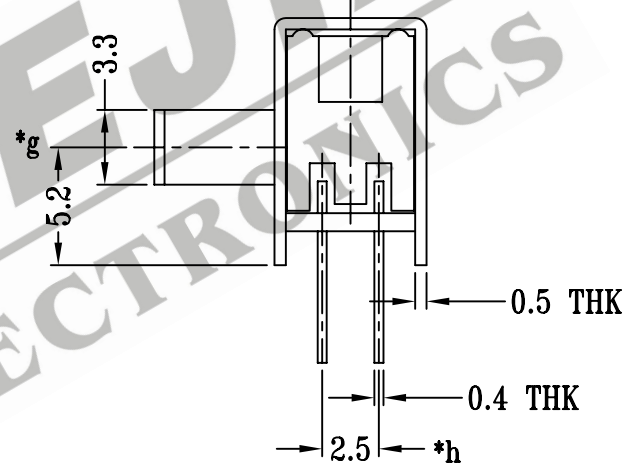


CAD FILE:



SCHMATIC(SHORTING)



P.C.B LAYOUT

注:带"*"表示关键尺寸(8个)

| | | | | | | | | | | |
|-----|--------------|----------------|------|--------------------------|---|--------------------------------------|-----------|----------------------------|------------|----------|
| 8 | | | | | TOLERANCE UNLESS SPECIFIED | SHENZHEN XIEJIA ELECTRONICS CO.,LTD. | | | | |
| 7 | STEEL BALL | STEEL | 1 | NATURAL | WITHIN: 1.5±0.1mm OVER : 1.5±0.2mm | ISSUE | DATE | DESCRIPTIONS | | APPD. |
| 6 | SPRING | STEEL WIRE | 1 | TEMPER | | TITLE : HORIZONTAL SLIDE SWITCH | UNIT : MM | DRWG NO.: XJ-DR-SK23D01-00 | | |
| 5 | CONTACT CLIP | PBS STRIP | 2 | Ag PLATED | | | | MODEL: SK-23D01 | SCALE: 3:1 | DWN. |
| 4 | TERMINAL | BRASS STRIP | 8 | Ag PLATED OVER Ni PLATED | ALL MATERIALS MUST BE COMPLIANT TO ROHS | APPD. | CHK'D | | | FANGYING |
| 3 | BASE | PHENOLIC RESIN | 1 | NATURAL | | | KANGXINAN | 20001-9-6 | | |
| 2 | KNOB | POM | 1 | BLACK | | | | | | |
| 1 | FRAME | STEEL STRIP | 1 | Ni PLATED | | | | | | |
| NO. | PART NAME | MATERIAL | Q'TY | FINISHING | | | | | | |